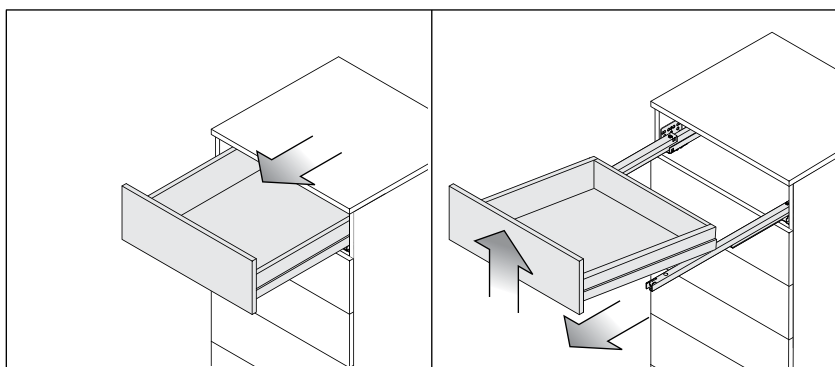
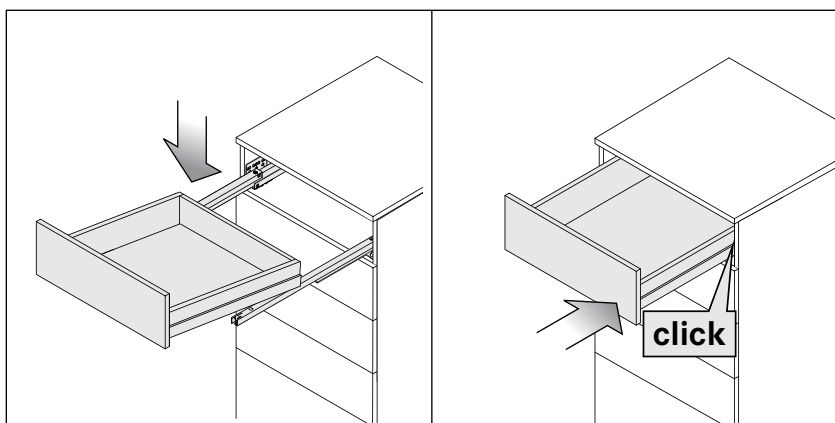
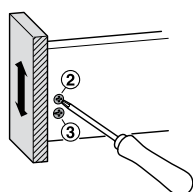


SCALA DRAWERS: INSTALLATION AND REMOVAL



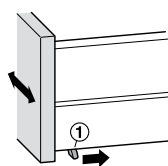
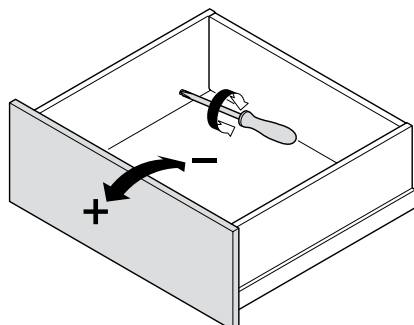
ADJUSTING DRAWERS:



Height adjustment

- > Loosen screw (2)
- > Fix front panel into desired position using eccentric screw (3)
- > Adjusting distance ± 2 mm
- > Tighten screw (2)

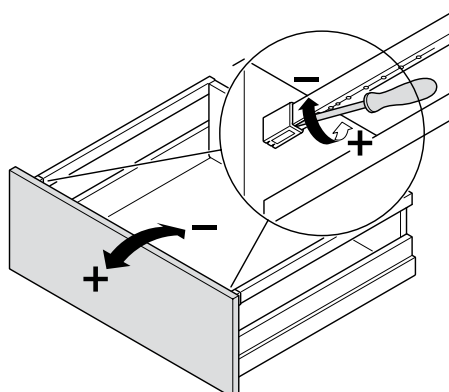
H122, H186, Crystal Plus and H250 tilting angle adjustment



Side adjustment

- > Push clamping lever (1) backwards and hold
- > Slightly lift front panel and move beyond grooves
- > Adjusting distance ± 1.5 mm
- > Release clamping lever (1)

H90 tilt adjustment with rectangular gallery rail



Note: Adjustments must always be carried out on both sides